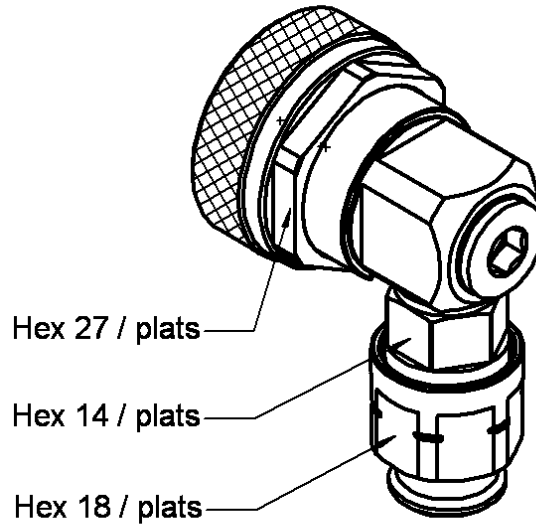
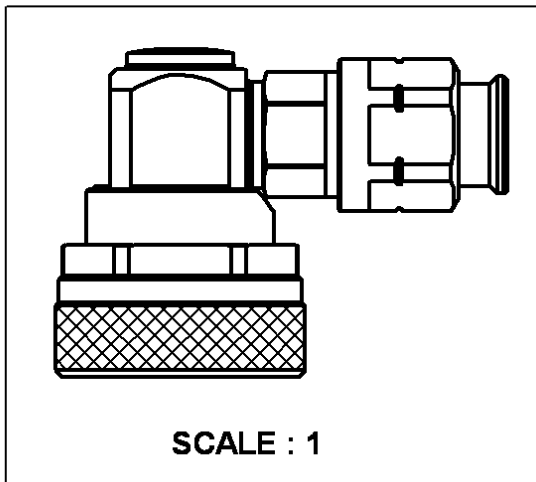
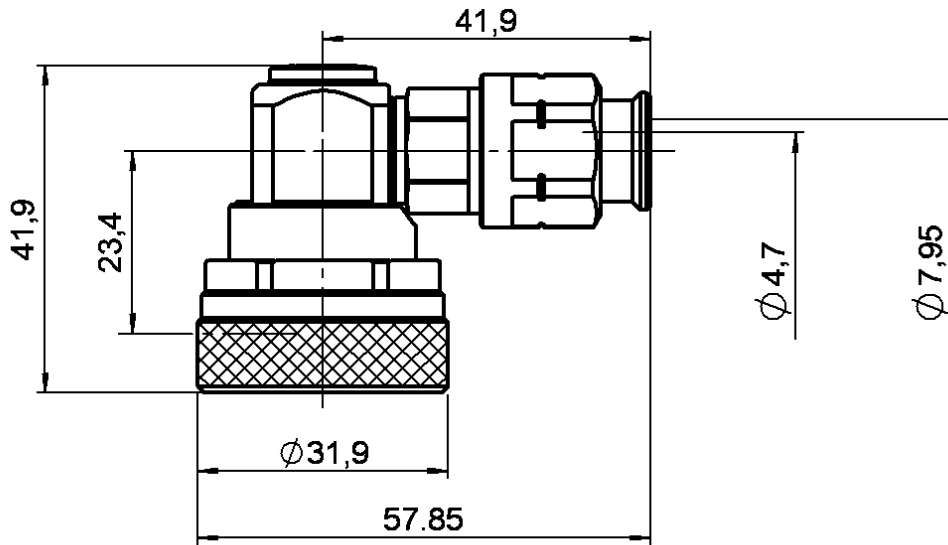


**RIGHT ANGLE PLUG CLAMP TYPE**  
**CABLE 1/4" SUPERFLEXIBLE CORRUGATED**

**R185.164.200**

Series : 7-16



All dimensions are in mm.



COMPONENTS	MATERIALS	PLATINGS (µm)
BODY	BRASS	BBR 0.5 OVER SILVER 3
CENTER CONTACT	BRASS	SILVER 5 OVER COPPER 0.5
OUTER CONTACT	BRASS	SILVER 5 OVER COPPER 0.5
INSULATOR	PTFE	
GASKET	SILICONE RUBBER	
OTHERS PARTS	BRASS	BBR 2
-	-	-
-	-	-

Issue : 0220 C

In the effort to improve our products, we reserve the right to make changes judged to be necessary.



**RIGHT ANGLE PLUG CLAMP TYPE**  
**CABLE 1/4" SUPERFLEXIBLE CORRUGATED**

**R185.164.200**

Series : 7-16

**PACKAGING**

Standard	Unit	Other
<b>20</b>	<b>'W' option</b>	<b>Contact us</b>

**SPECIFICATION**

**ELECTRICAL CHARACTERISTICS**

Impedance		<b>50</b> Ω
Frequency		<b>0-7.5</b> GHz
VSWR	* +	<b>0.000</b> x F(GHz) Maxi
Insertion loss		<b>0.05</b> √F(GHz) dB Maxi
RF leakage	- (	<b>95</b> - F(GHz)) dB mini
Voltage rating		<b>1400</b> Veff Maxi
Dielectric withstanding voltage		<b>2700</b> Veff mini
Insulation resistance		<b>10000</b> MΩ mini

**CABLE ASSEMBLY**

Stripping	a	b	c	d	e	f
mm	5.50	5.00	11.5	0.00	0.00	0.00

Assembly instruction :

Recommended cable(s)  
FSJ1RN-50A - 1/4"  
HCF 1/4" Cu2Y AlCu

Cable retention

- pull off **200** N mini
- torque **NA** N.cm

**MECHANICAL CHARACTERISTICS**

Center contact retention		
Axial force – Mating end		<b>200</b> N mini
Axial force – Opposite end		<b>100</b> N mini
Torque		<b>2</b> N.cm mini

**TOOLING**

Part Number	Description	Hexagon
.	.	.
R282.303.220	TORQUE SPANNER .708 in 84.075 in.lb	
R282.010.030	STRIPPING TOOL	

Recommended torque		
Mating		<b>3000</b> N.cm
Panel nut		<b>NA</b> N.cm
Clamp nut		<b>950</b> N.cm
A/F clamp nut		<b>18.000</b> mm

**OTHERS CHARACTERISTICS**

\* ROS : 1.20 a 3 GHz

Mating life		<b>500</b> Cycles mini
Weight		<b>149.000</b> g

**ENVIRONMENTAL**

Operating temperature		<b>-55/+155</b> °C
Hermetic seal		<b>NA</b> Atm.cm3/s
Panel leakage		<b>IP 67</b>

Issue : 0220 C

In the effort to improve our products, we reserve the right to make changes judged to be necessary.



**RIGHT ANGLE PLUG CLAMP TYPE**  
**CABLE 1/4" SUPERFLEXIBLE CORRUGATED**

**R185.164.200**

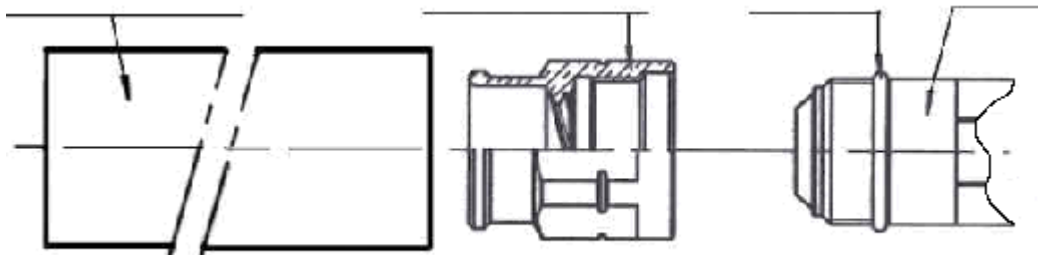
Series : 7-16

HEATSHINK SLEEVE

BRAID CLAMP NUT

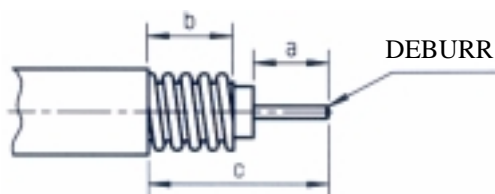
GASKET

BODY



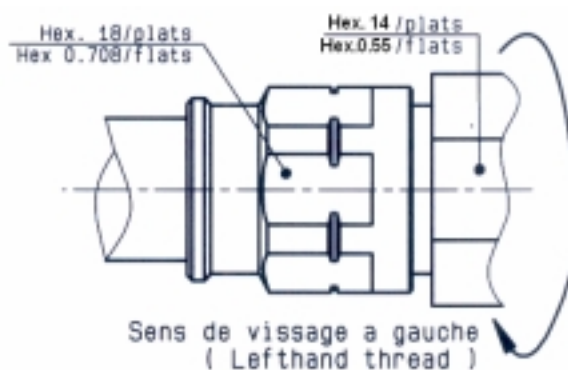
1

- Strip the cable ..
- Do not damage the outer conductor .
- Deburr cable inner conductor ..



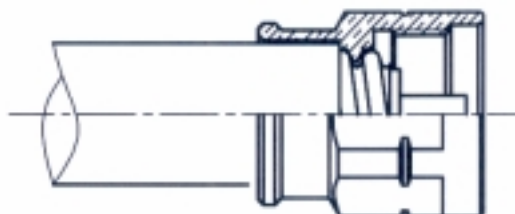
3

- Screw the body onto the cable assembly .
  - Warning : Screw the body on the braid clamp nut turning left (lefthand thread) so that the copper outer conductor is being squeezed
- Recommanded coupling torque : 84.07 in.lb.



2

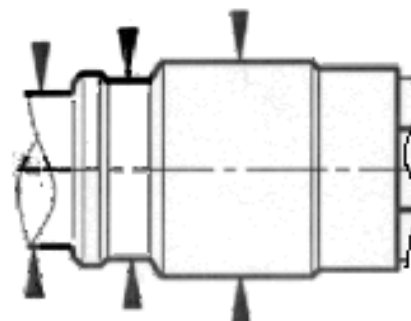
- Slide the heatshrink sleeve onto the cable.
- Screw manually the braid clamp nut onto cable outerconductor until stop .



4

- Shrink the heatshrink sleeve .

Shrink the heatshrink sleeve



Issue : 0220 C

In the effort to improve our products, we reserve the right to make changes judged to be necessary.

